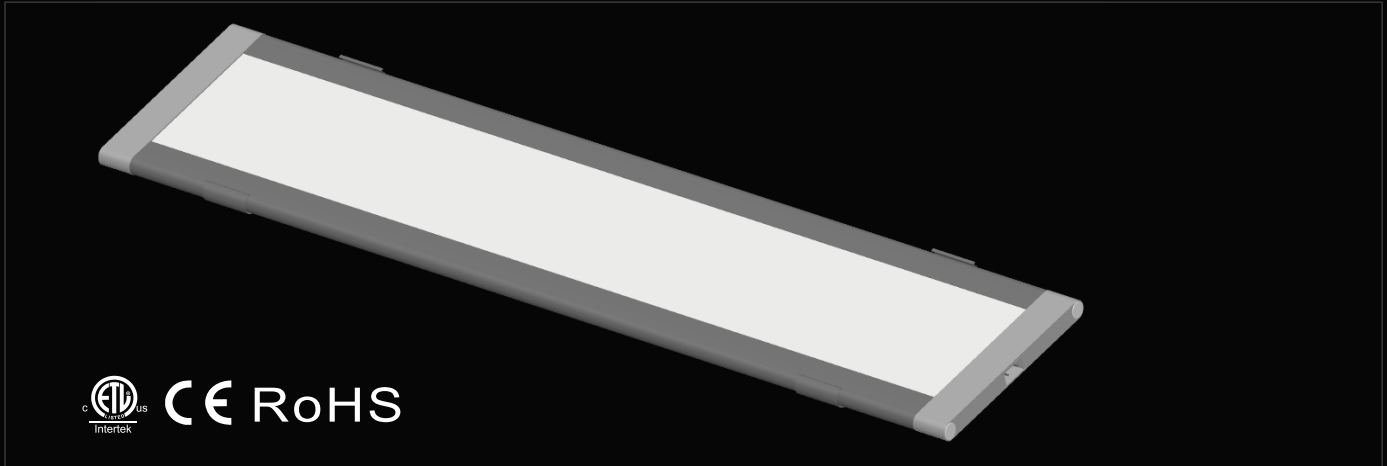


CATALOGUE

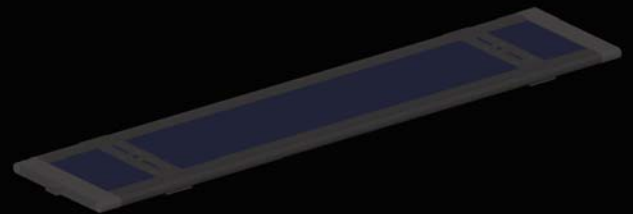
Our quality & service that save you more

OMIITEK.com



Fetaure

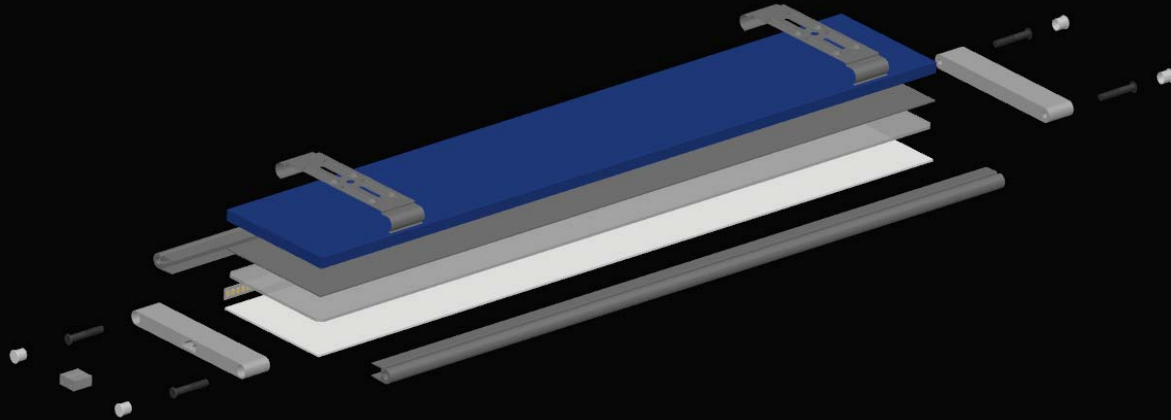
- High performance-price ratio
- No screws needed, quickly plug installation
- Fire protection diffuser
- Circular frame, user friendly
- Extension and seamless connection.



Specification

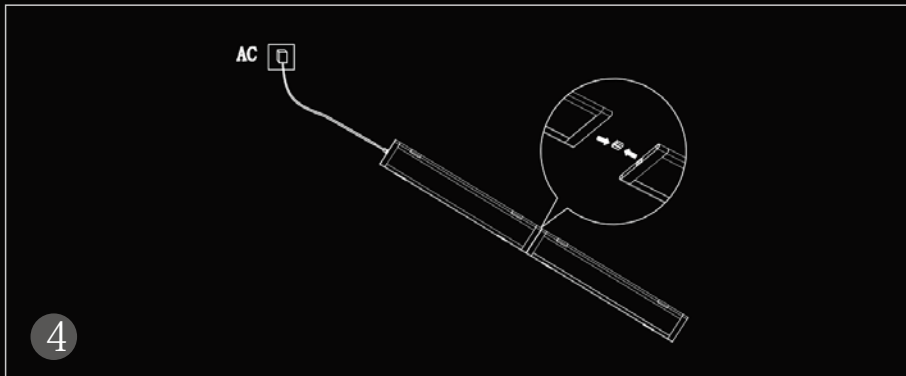
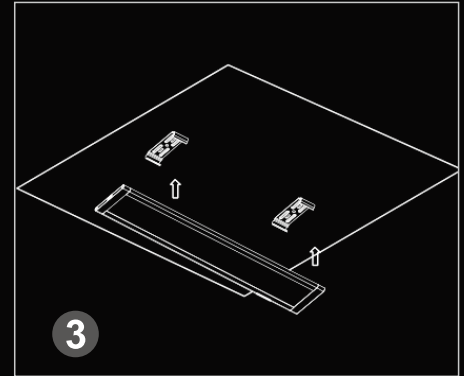
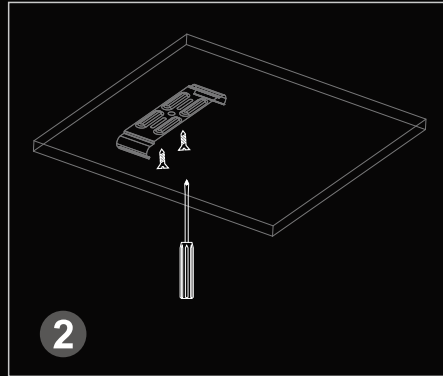
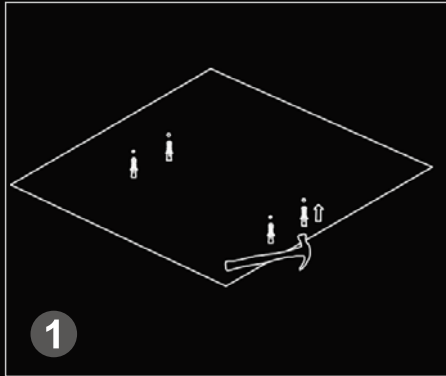
Part No.	Size(L*W*H)	Power	LM
JPL-1230-10W	300X120X10mm	10W	500LM
JPL-1260-20W	600X120X10mm	20W	1000LM
JPL-1290-30W	900X120X10mm	30W	1500LM
JPL-12120-40W	1200X120X10mm	40W	2000LM





Seamless connection structure, Unique private design model. Ultrathin thickness 10mm
Aluminum alloy shell material, simple but elegant outlook.
High brightness LED source, Ra>80, PF 0.9
Using constant-current power supply, no Flash, no glare, light uniformity
High efficiency, low power consumption, energy saving and environmental protection;
Lifetime more than 50,000 hrs
ETL standards compliance
No wiring installed, easy and quick to install
Multiple colors available for special order

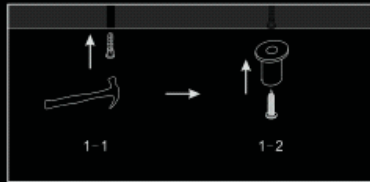
Installation (Ceiling-mounted)



Installation (Suspended)

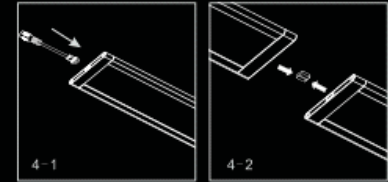
STEP 1

Drill holes on ceiling, insert rubber plugs, install hanging wire stud



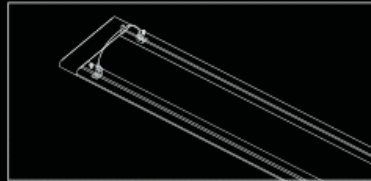
STEP 4

Connect the power patch cord and joint butt



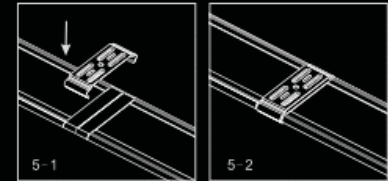
STEP 2

Fix hanging wire clips on back of lamp



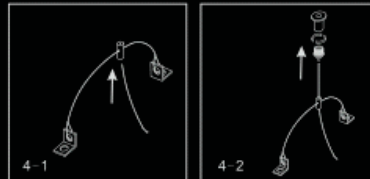
STEP 5

Keep balance of two panels with a clip



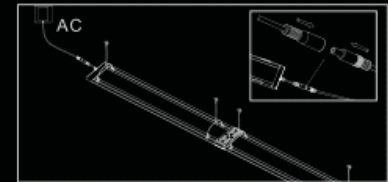
STEP 3

Pull on hanging wire



STEP 6

Connect power adaptor and join city grid



Application



OMIITEK.com

OMII TECHNOLOGY (HK) LTD

Room 537, KangLe Building, Huaqiang North Road,
Futian District, Shenzhen, China.
T: (86) 755 8255 2600 M: (86) 136 6269 1413
E: hello@omiitek.com omiitek@yahoo.com
www.omiitek.com

